

Unsafe Installation Practices

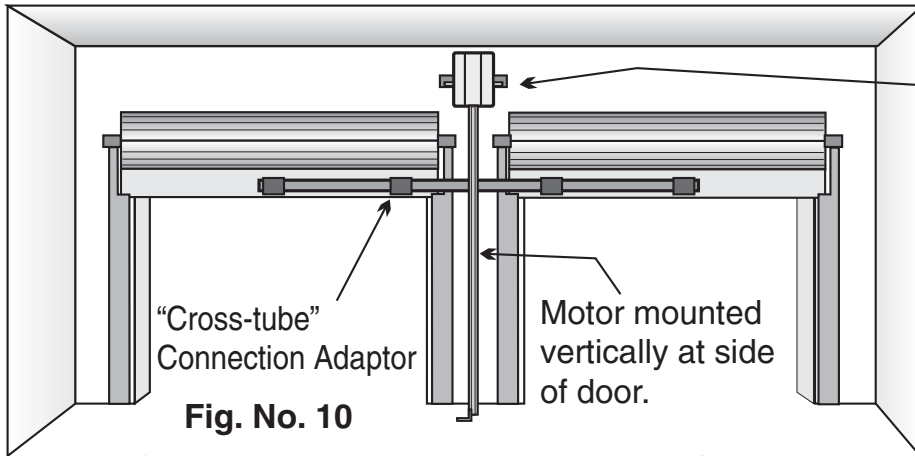
Do Not Install Door Operators In This Way !

Unsafe Installation Practice No.1

Steel Roll-Up Doors

Typically, the motor is positioned vertically at one side of the door. A "Cross-tube" is fixed to the lower extremity of the door as shown in Figs 10 & 11.

The operator is coupled to the "cross-tube". The effect of this arrangement is that the door is raised or lowered by a force being applied at only one side of the door.



"Side-Mount" Roll-Up Door System

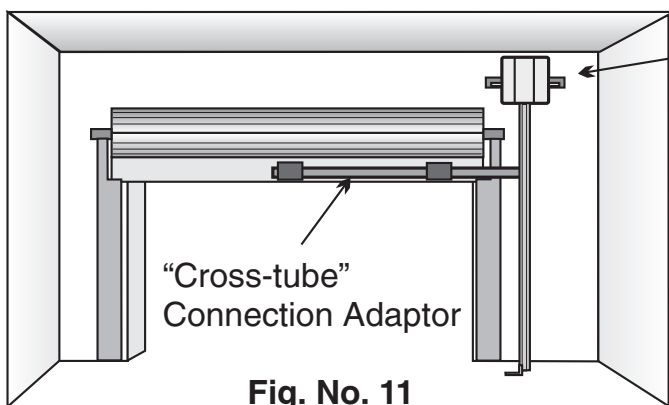


Fig. No. 11

Important Notes

SABS - IEC 60335-Part 2 - 1995 sets down certain safety standards for the automation of garage doors. When two doors are coupled together in the way shown here, the built-in "overload" sensors of the door operator, regardless of make or type, may be severely compromised to the extent that they may not respond quickly enough, ***if at all***, to any obstructions in the path of the door. ***This is a dangerous condition !***

Should any doors which are automated in this manner cause an injury, or worse, to any person or damage to property, both the owner and the installer may be held jointly and severably responsible and liable; and may suffer the consequences thereof.

Homeowners are advised to reject such installations lest they be incriminated in any claims.

Under no circumstances will Brano condone the use of it's products in such a manner.

Unsafe Installation Practice No.2

Single door operator centrally mounted between two "One-Piece Tip-Up" type doors or "Sectional" type doors which are rigidly coupled together. (Fig. 12)

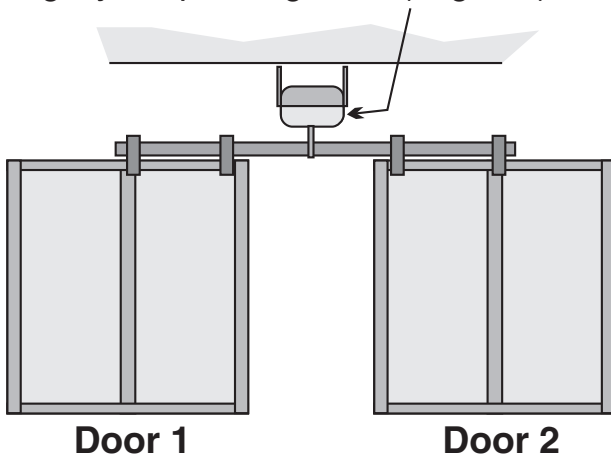


Fig. No. 12